

# M-OBR4-GRD SERIES OUTDOOR BOTTLE FILLER

**Recessed Outdoor Bottle Filler with GRD Drinking Fountain  
Featuring Triple Clear Force Field Filter™ Technology**

## STANDARD FEATURES

- Patented Force Field Filter™ Technology
- Murdock Water Filter
- NSF 53, 61, 42 Certified
- 115V Plug-in Transformer
- Pushbutton and Hands-free Sensor Operated Bottle Filler
- 100-Mesh Inlet Strainer
- Laminar Flow Water Supply
- 1 GPM Fill Rate
- Lead-free
- Bottle Filler Meets ADA Forward Side and Reach Requirements
- Vandal-resistant Design
- Gasketed Door for Weather Resistance  
(resistant to sunlight, heat moisture and wear)
- 18 Gauge, 304 Stainless Steel Bowl
- 12 Gauge, Heavy Duty Stainless Steel Arm; Corrosion and Scratch Resistant
- Polished Stainless Steel, Anti-rotation Non-squirt Bubbler



## SUGGESTED SPECIFICATIONS

Model M-OBR4-GRD is a Recessed Outdoor Bottle Filler with GRC Drinking Fountain featuring Force Field Filter™ Technology. Housing has a slim and trim look that blends into your environment. Unit also has a strong vandal-resistant design for years of trouble-free service. Bottle filler shall be activated by a 9V sensor or a pushbutton as standard. Fixture has a self-closing pushbutton, requiring less than 5 pounds of force to activate the internally mounted valve. When installed properly, the bottle filler complies with ADA forward and side reach requirements. Bottle filler is fabricated of type 304 stainless steel. Unit includes GRC Series barrier-free drinking fountain. Bottle filler cabinets and drinking fountain shall be either stainless steel with powder coat or satin finish. Unit complies with ANSI A117.1, Public Law 111-380 (NO-LEAD), CHSC 116875 and NSF/ANSI 61, Section 9. Fixture meets ADA requirements when mounted appropriately.

## FORCE FIELD™

Water Purification via Advanced Filtering

Triple Clear's Force Field Filter Technology triple filter purifies and protects water using mechanical filtering, carbon filtering and electroadsorptive technology (science originally developed for NASA). Water passes through the filter's 400 layers of mechanical filtration, powdered carbon and a naturally occurring positively charged "force field" that, like a magnet, attracts, captures and kills negatively charged contaminants.

Independent testing\* has proven that Force Field Filters remove greater than 99.9% of viruses (i.e. MS2 virus, norovirus), bacteria (i.e. E. coli, Pseudomonas and Legionella) and parasites (i.e. Giardia, Cryptosporidium). They also effectively remove a wide range of submicron particulates (i.e. sand and rust), heavy metals (i.e. Lead and Chromium VI), trace pharmaceuticals (i.e. BPH), and many other chemical residues.

Unlike other submicron filters, Force Field Filters keep out the bad stuff, while keeping the good stuff in water. They also offer better flow, require very little pressure loss to operate, are easy to maintain and are completely chemical-free and environmentally-friendly.

Force Field Filters are the ultimate choice for providing safe, clean and delicious water to your customers. Our filters contain a mechanical fail safe, so that when used as directed, they provide superior protection.

Bottle Filler complies with the following standards:

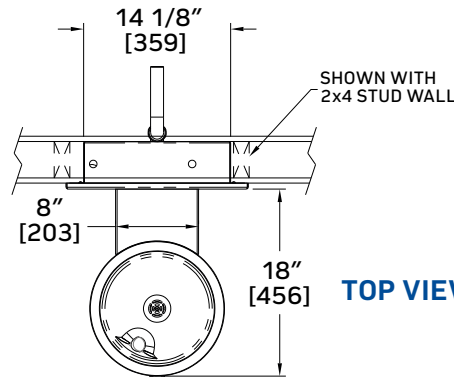


Force Field Filter complies with the following standards:

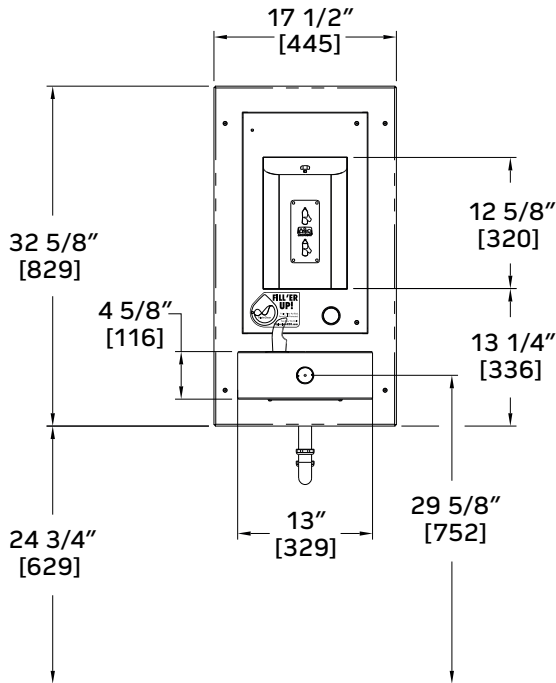
# M-OBR4-GRD SERIES OUTDOOR BOTTLE FILLER

## GENERAL NOTES

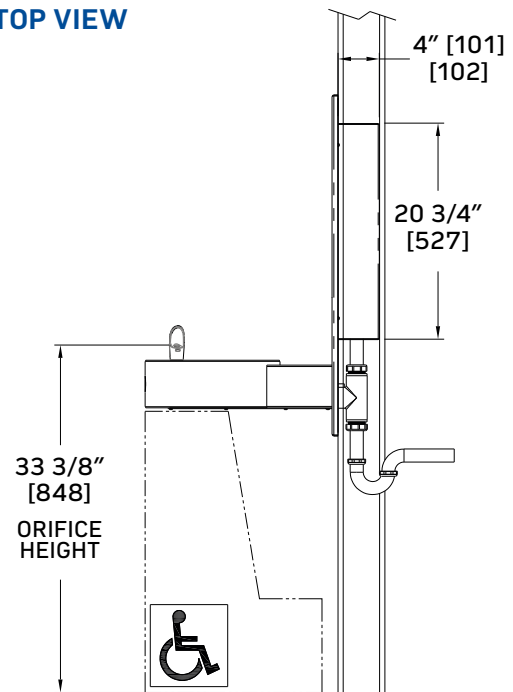
- All dimensions are in inches [MM]
- Dimensions shown are for recommended adult height. Adjust vertical dimensions as necessary to comply with Federal, State & Local Codes.
- Stop valve not provided



TOP VIEW



FRONT VIEW



SIDE VIEW

## MODELS

M-OBR4-GRD Recessed Outdoor Bottle Filler with GRC Drinking Fountain\*\* featuring Triple Clear Force Field Filter™ Technology

- M-OBR4-GRD-TCWS Satin Stainless Finish (shown)
  - M-OBR5-GRD-TCWS Green Powder-coated
  - M-OBR6-GRD-TCWS Red Powder-coated
  - M-OBR7-GRD-TCWS Blue Powder-coated
- Custom color finishes available upon request*

## WARRANTY

Murdock Mfg.™ warrants that its products are free from defects in material or workmanship under normal use and service for a period of 18 months from date of shipment. The sealed refrigeration system is warranted for five years. Murdock's liability under this warranty shall be discharged solely by replacement or repair of defective material, provided Murdock™ is notified in writing within one year from date of shipment, F.O.B. Industry, California. Triple Clear warrants that its filtration products are free from defects in material or workmanship under normal use and service for a period of 12 months from date of shipment. Triple Clear's liability under this warranty shall be discharged solely by replacement or repair of defective product, provided Triple Clear is notified in writing within one year from date of shipment, F.O.B. Triple Clear's distribution center.

## DISCLAIMER

All dimensions are subject to manufacturer's tolerance of plus or minus 1/2" nominal and subject to change without notice. Murdock assumes no responsibility for use of void or superseded data. Dimensions may change with the addition of optional accessories. Murdock Mfg.™, Member of Morris Group International™. Please visit [www.murdockmfg.com](http://www.murdockmfg.com) for most current specifications

\*Tested by a certified laboratory in the U.S. (testing was done at 6.5 pH) \*\*U.S. PATENT PENDING

⚠ WARNING: Cancer and Reproductive Harm - [www.P65Warnings.ca.gov](http://www.P65Warnings.ca.gov)

## OPTIONS (additional costs may be incurred)

- Custom Logo/Graphics
- Bottle Counter Display
- Chilled (8 GPH capacity)
- Battery Operated (N/A with bottle counter)
- Freeze-resistant Valve System, 2 valves (less filter and sensor)
- Pushbutton-only Bottle Filler (standard with freeze-resistant valve)